



ALEX ORIGINAL A/C ROOFTOP UNITS

The ALEX ORIGINAL Rooftop units characterize themselves by their powerful cooling capacities as well as their distinctive aerodynamic design.

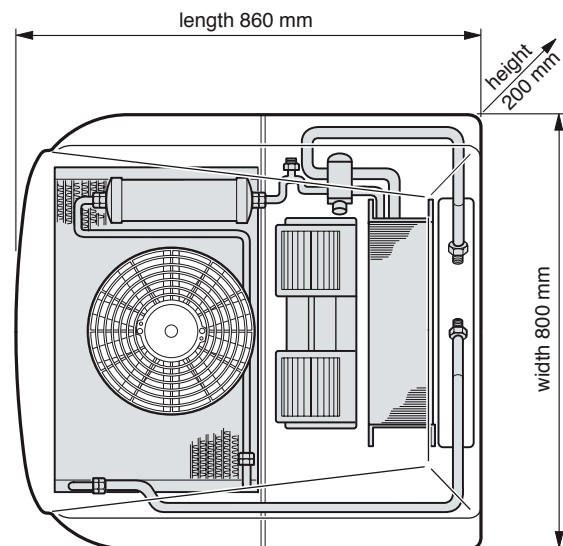
Our high quality product line suits any kind of truck, van, minibus or special vehicle.

Models are available in 12V and 24V. Its design will enhance any vehicle.

The aluminum body is encased by an ultramodern, UV- protected ABS acrylic cover.

The operation is pleasantly quiet, cooling capacity is high, power consumption is low.

Easy and friendly installation.



TA-1010, 12V, 5.5 Kw (Designed for Panel) P.n. 4500-010



TA-1011, 24V, 6 Kw (Designed for Panel) P.n. 4500-011



TA-1012, 12V, 5.5 Kw (Designed for Panel) w. Electronic Controller P.n. 4500-012



TA-1013, 24V, 6 Kw (Designed for Panel) w. Electronic Controller P.n. 4500-013

Cooling Capacity: 5.5 Kw-12V / 6 Kw-24V

Working Voltage: 12V d.c. / 24V d.c.

Power Consumption: 22A-12V / 11A-24V

Airflow: (at Zero Static Pressure):

912 m³/h - 12V / 1161 m³/h - 24V

Unit L / W / H : 860 / 800 / 200 mm

Weight: 21.5Kg

Recommended compressor: Sanden SD7H15

Contact:

Alex Original LTD.

16 Hamelacha St., New industrial

Area, Netanya 4250551

Israel

Tel: 972-9-8855441

Fax: 972-9-8855442

www.alex-original.com

info@alex-original.com